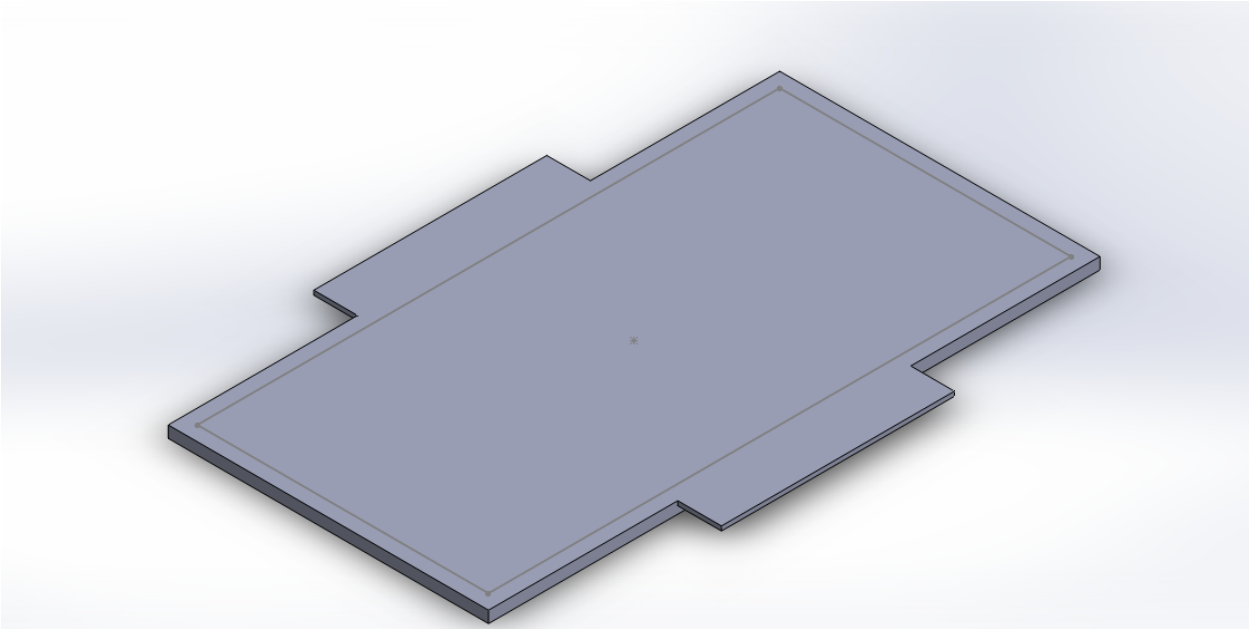


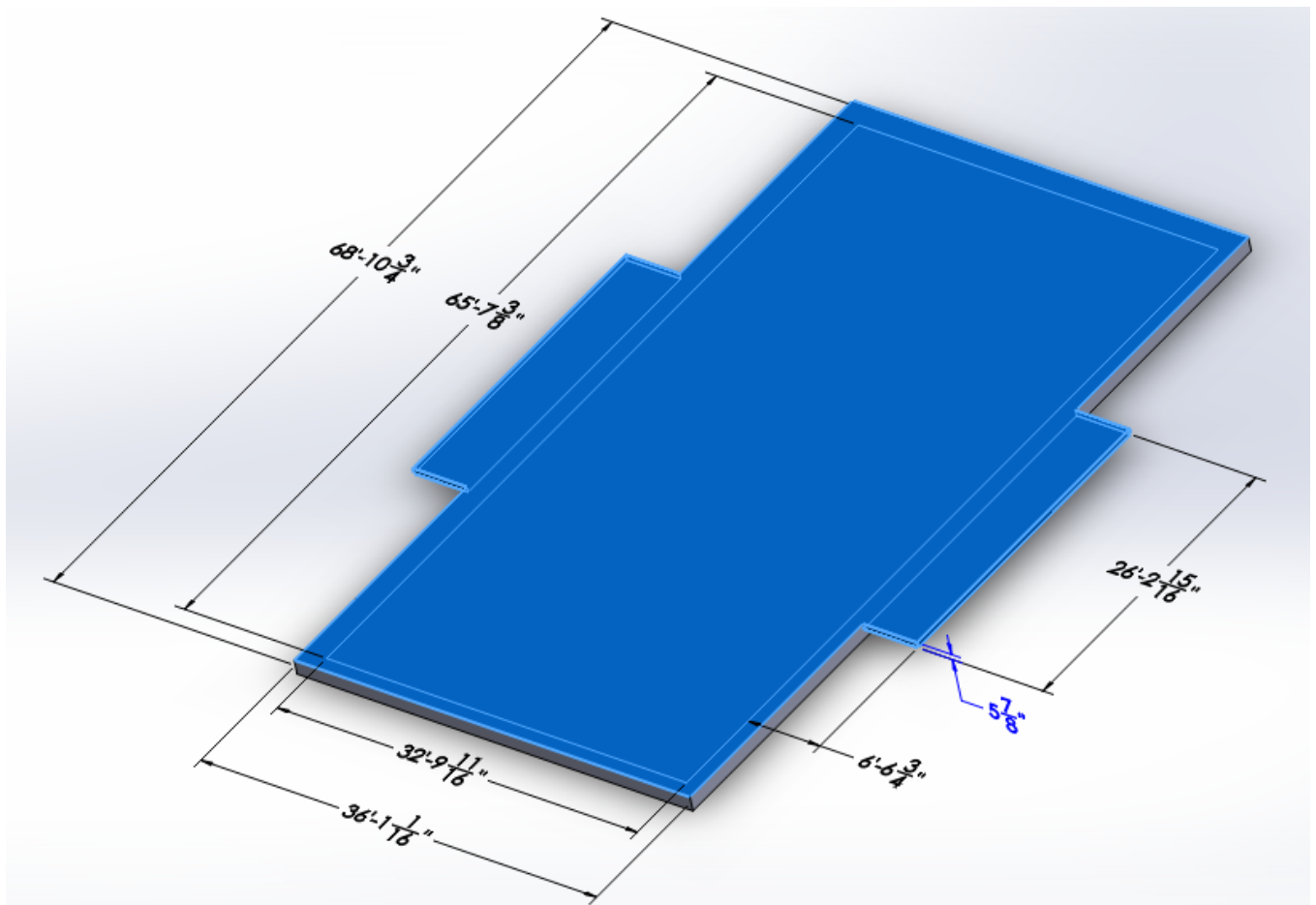
North-South orientation

Sloped at 0.05 East-West

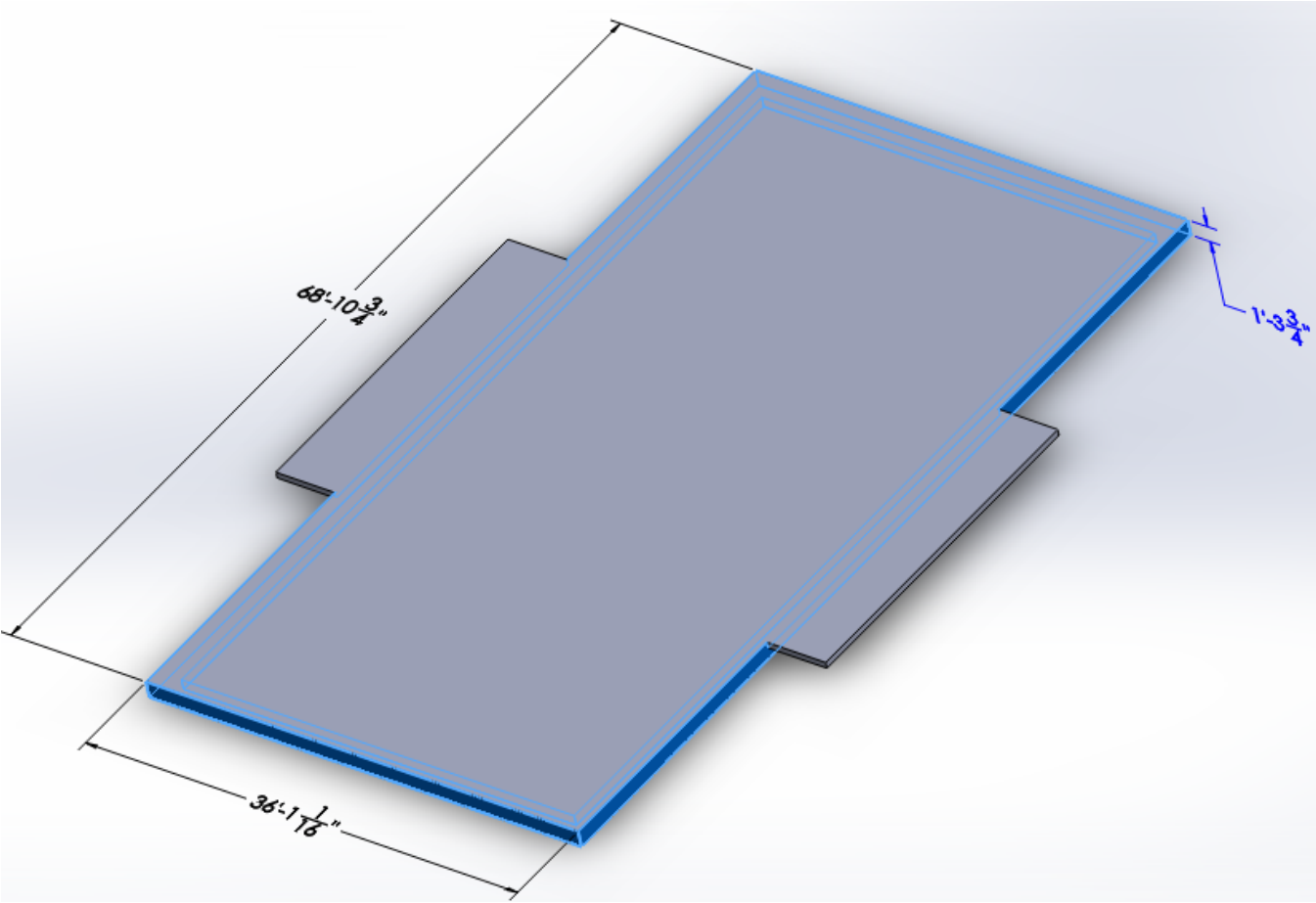


TOP VIEW

-Playing area and running out the doors area $5\frac{7}{8}$ "



-Perimeter thickness 1'-3 3/4"



BOTTOM VIEW

